

THIS DRAWING IS UNPUBLISHED.

RELEASED FOR PUBLICATION

© COPYRIGHT - By -

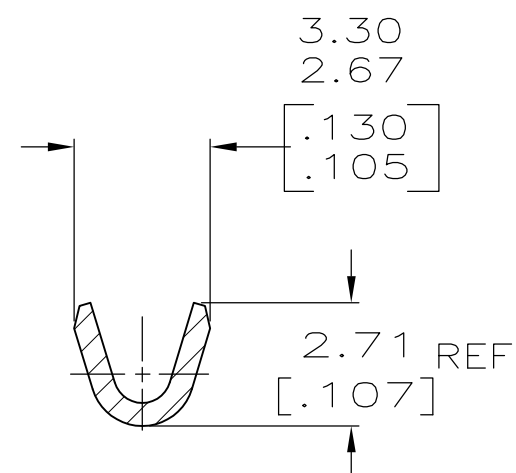
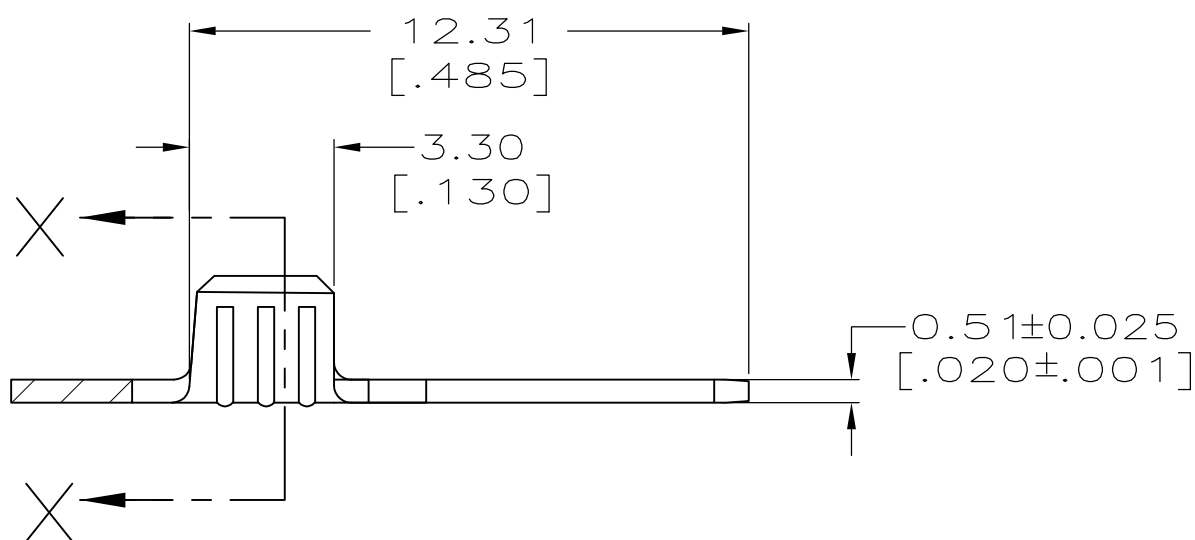
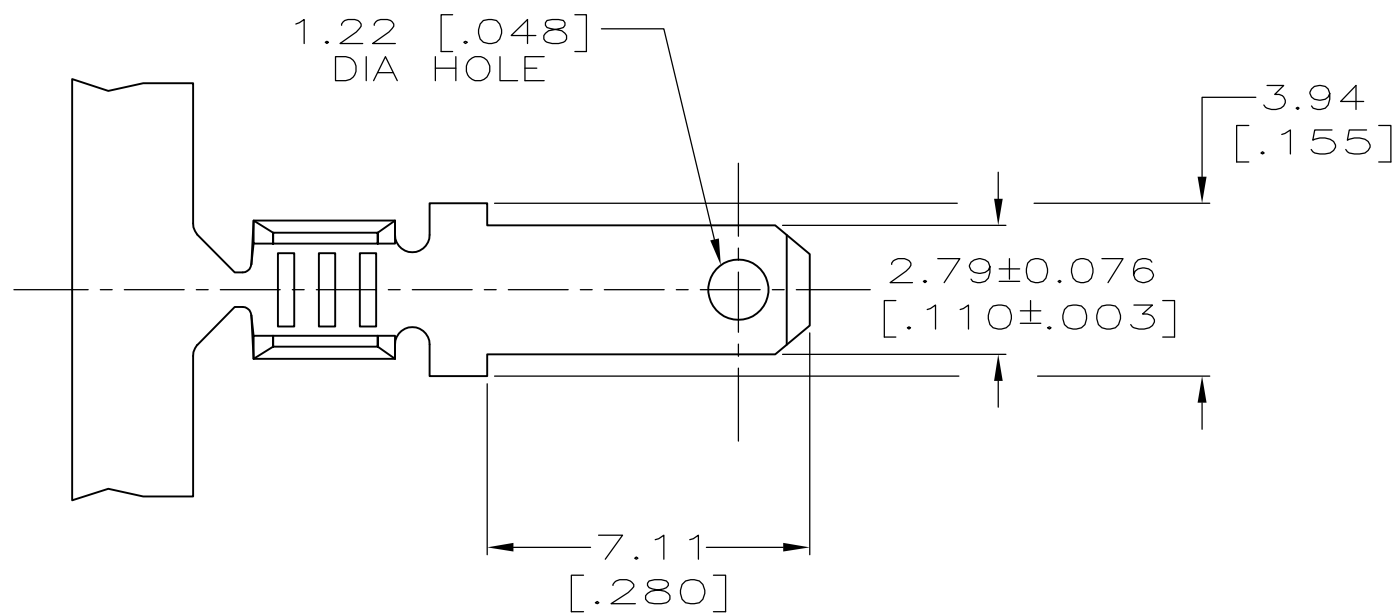
ALL RIGHTS RESERVED.

LOC AF DIST 50

REVISIONS

P	LTR	DESCRIPTION	DATE	DWN	APVD
L		REVISED PER ECR-13-011489	05DEC2013	KH	PD

- 1 CONTINUOUS STRIP ON REELS.
- 2 WIRE SIZE IS [#22-#18] AWG.



SECTION X-X

62122-1

PART NO.

THIS DRAWING IS A CONTROLLED DOCUMENT.

DWN JR RUTH 8/26/97

CHK P FORTNEY 8/26/97

APVD P DESANTIS 8/26/97

PRODUCT SPEC

APPLICATION SPEC

WEIGHT -

CUSTOMER DRAWING

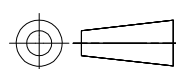
STE TE Connectivity

TAB, FASTON, 2.79 [.110] SERIES

SIZE	CAGE CODE	DRAWING NO	RESTRICTED TO
A3	00779	C-62122	-

DIMENSIONS:
mm [INCHES]

TOLERANCES UNLESS
OTHERWISE SPECIFIED:



0 PLC	± -
1 PLC	± -
2 PLC	± 0.38 [.015]
3 PLC	± -
4 PLC	± -
ANGLES	± -

MATERIAL
BRASS

FINISH
PRE-TIN

SCALE 6:1 SHEET 1 OF 1 REV L